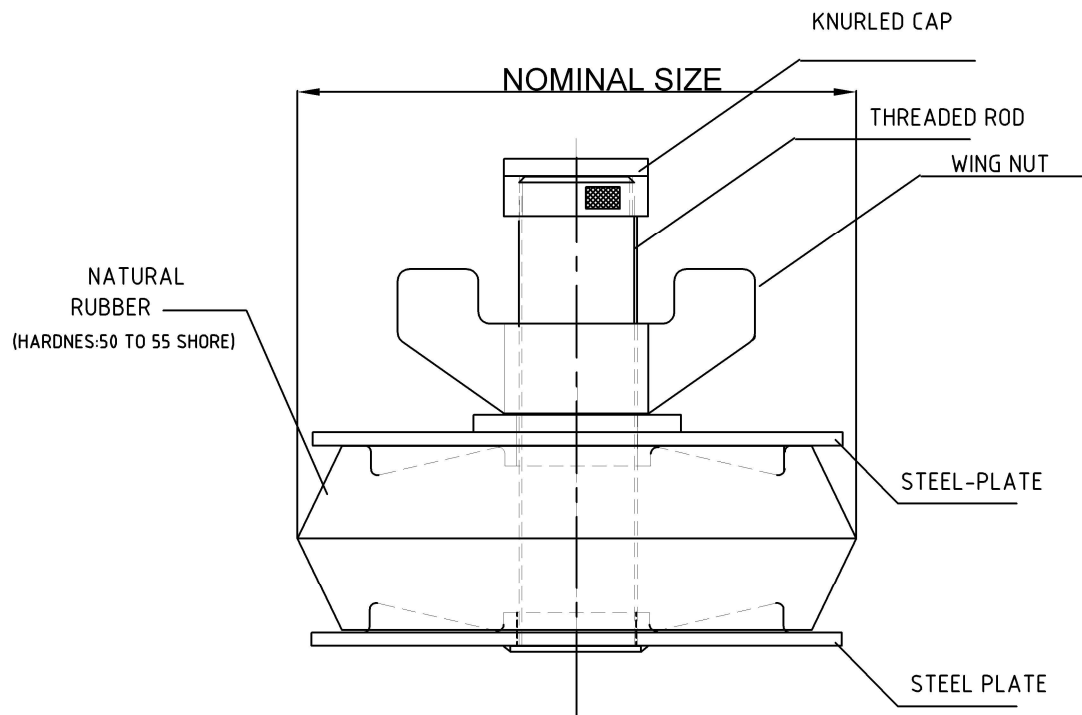


RANGE-OF DRAIN-TEST PLUGS

TEST PLUG DESIGNED AS PER STD : BS 8301 ;1985 CODE OF PRACTICE FOR BUILDING DRAINAGE

BS 8005:1987 BRITISH STD FOR SEWAGE

IT COMPLIES FOR THE TESTING OF DRAINS AND SEWERS IN ACCORDANCE WITH EN1610:1997



SLNO	NOMINAL -DIA (INCH)	OPERATING -PRESSURE (PSI)	MODEL
1	1 1/2 (INCH)	10	EMC-TP-1.5
2	2 (INCH)	7	EMC-TP-2
3	3 (INCH)	7	EMC-TP-3
4	4 (INCH)	7	EMC-TP-4
5	6 (INCH)	7	EMC-TP-6
6	8 (INCH)	7	EMC-TP-8